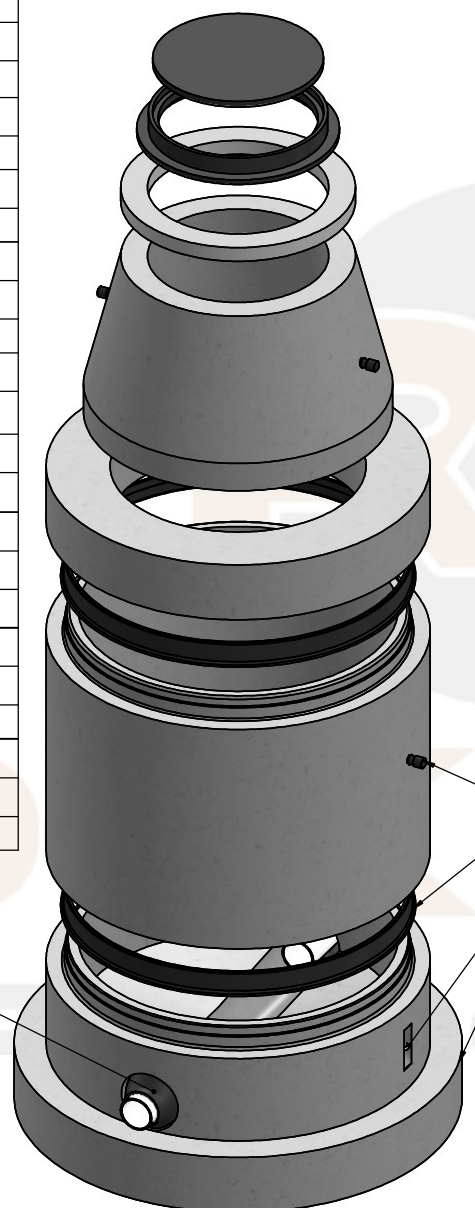
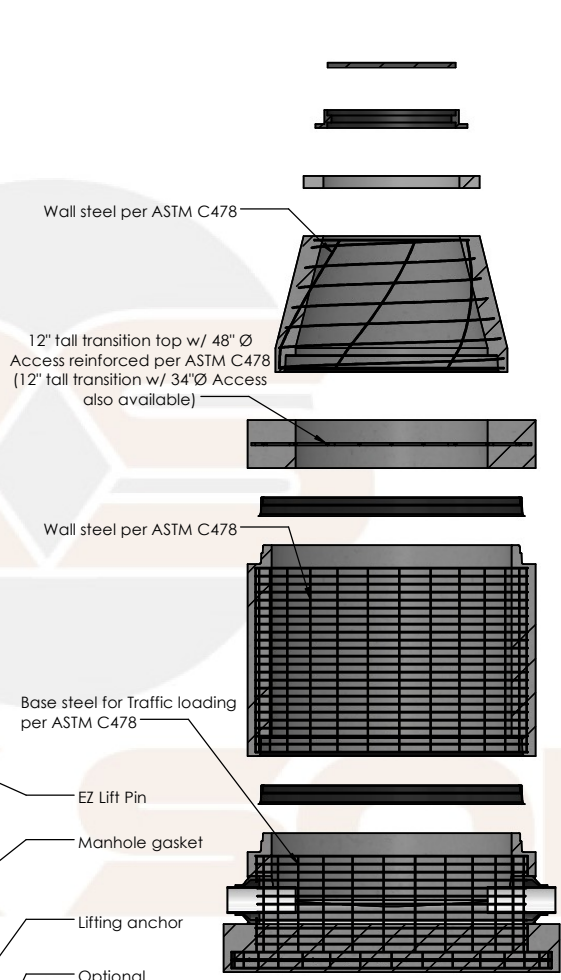


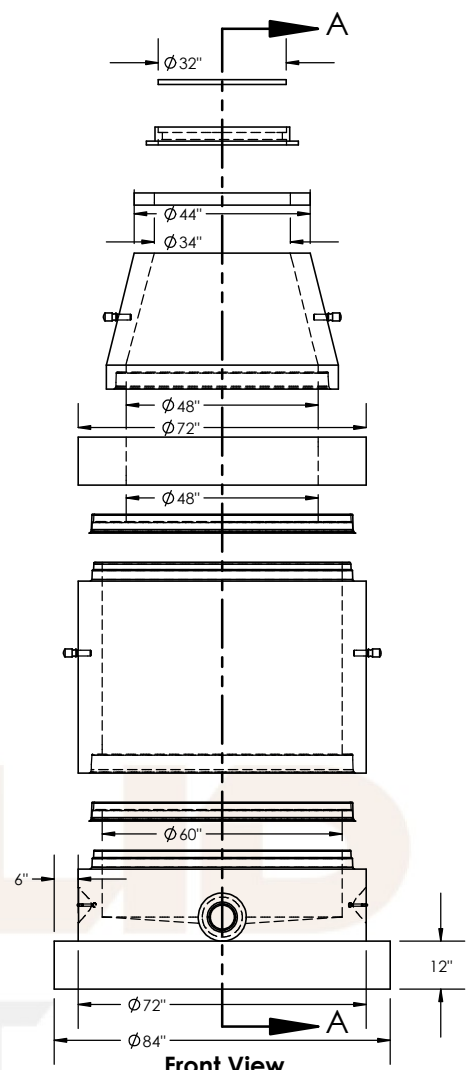
Description	Product Code	Weight (Lbs.)
Bases		
60" Ø x 18" Tall Basic	6018B	7,695
60" Ø x 18" Tall Custom	6018BSP	Varies
60" Ø x 24" Tall Basic	6024B	8,340
60" Ø x 24" Tall Custom	6024BSP	Varies
60" Ø x 36" Tall Basic	6036B	9,630
60" Ø x 36" Tall Custom	6036BSP	Varies
Risers		
60" Ø x 24" Tall Basic	6024R	2,580
60" Ø x 24" Tall Custom	6024RSP	Varies
60" Ø x 36" Tall Basic	6036R	3,870
60" Ø x 36" Tall Custom	6036RSP	Varies
60" Ø x 48" Tall Basic	6048R	5,160
60" Ø x 48" Tall Custom	6048RSP	Varies
Transition Top		
60" Ø/48" Ø x 12" Tall	60ST1248	2,360
60" Ø/34" Ø x 12" Tall	60ST1232	3,295
Cones		
48" Ø/34" Ø x 24" Tall	4824C	1,700
48" Ø/34" Ø x 34" Tall	4834C	2,500
Cast Iron		
32" Ø x 4.5" Tall Ring	32RC4	220
32" Ø Cover	32RC4	280



Exploded Side View
Scale: 1/3" = 1'



Section A View
SCALE 1/4" = 1'



Front View
SCALE 1/4" = 1'

Options
Thane Coat or Equivalent
Xypex or Equivalent
Bio-San

Concrete
28 day compressive strength of 4,500 PSI
Bottoms to be monolithic at floor and at first stage of wall

Cement
Per ASTM C150: Type I

Loading
Designed to H-20 loading standard

Design
Per ASTM C478
Standard configurations verified for up to 20 feet

Cast Iron
Meets ASTM A48 and CL35B Standards

Reinforcement
Rebar per ASTM A615 Grade 60
Wire Mesh per ASTM A1064

PROPRIETARY AND CONFIDENTIAL
THE INFORMATION CONTAINED IN THIS DRAWING IS THE SOLE PROPERTY OF ROCK SOLID PRECAST, LP. ANY REPRODUCTION IN PART OR AS A WHOLE WITHOUT THE WRITTEN PERMISSION OF ROCK SOLID PRECAST, LP IS PROHIBITED.

Rock Solid Precast, L.P.

11393 Sleepy Hollow Road
Conroe, TX 77385

PO Box 8066
The Woodlands, TX 77387

(281) 364-7474

TITLE	60" Ø Typical Sanitary Manhole (Various Options)	
DWG. NO.	60SAN Drawing	
DRAWN	CHECKED	WEIGHT
MKK	AB	Varies